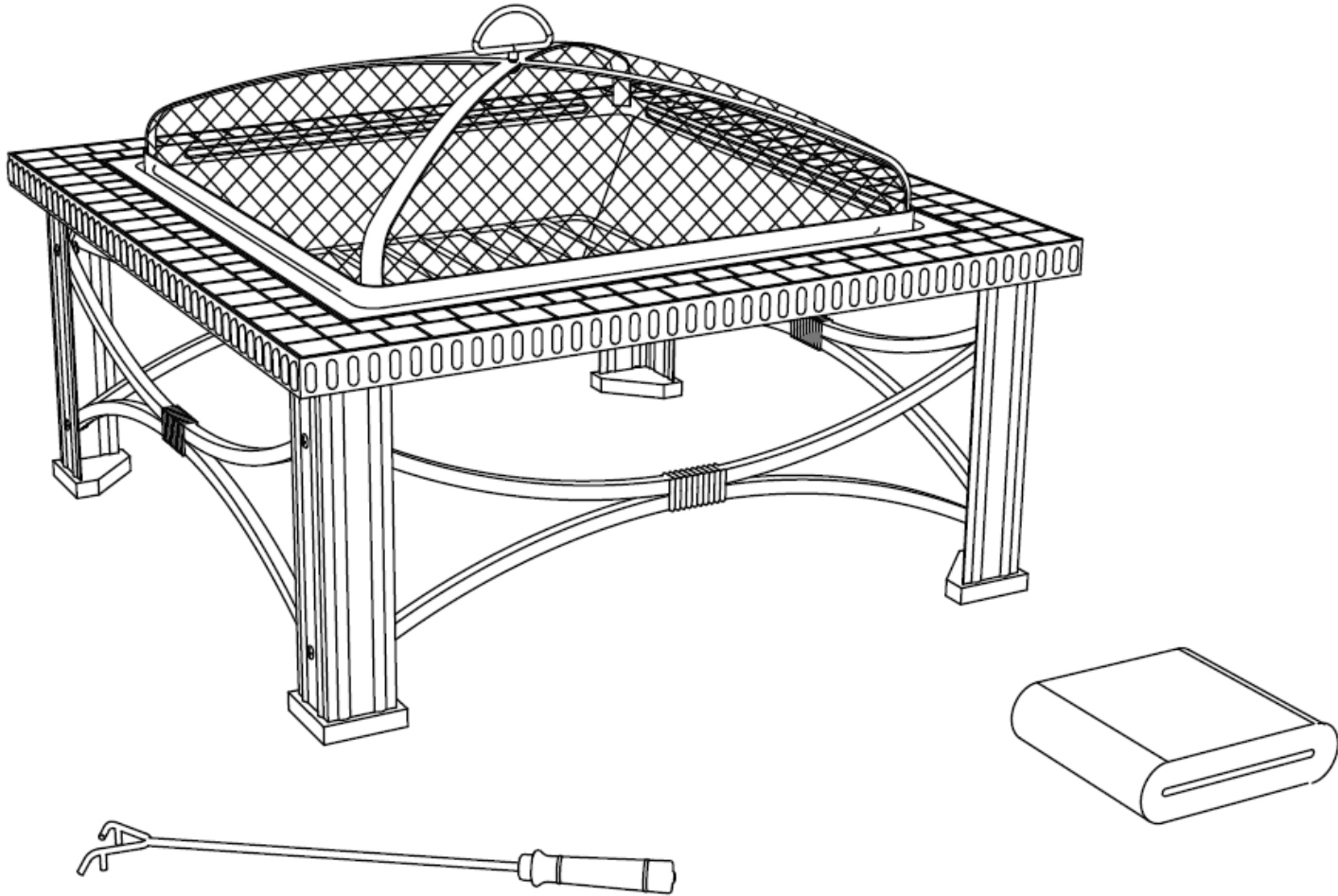




# OWNER'S MANUAL

MODEL #FTB-51161B



**ATTACH YOUR RECEIPT HERE**

Serial Number \_\_\_\_\_ Purchase Date \_\_\_\_\_



**Questions, problems, missing parts?** Before returning to your retailer, call our customer service department at **1-888-775-1330**, 7 a.m. - 4 p.m., PST, Monday – Friday. Or email us at [warranty@azpatioheaters.com](mailto:warranty@azpatioheaters.com).

# OWNER'S MANUAL

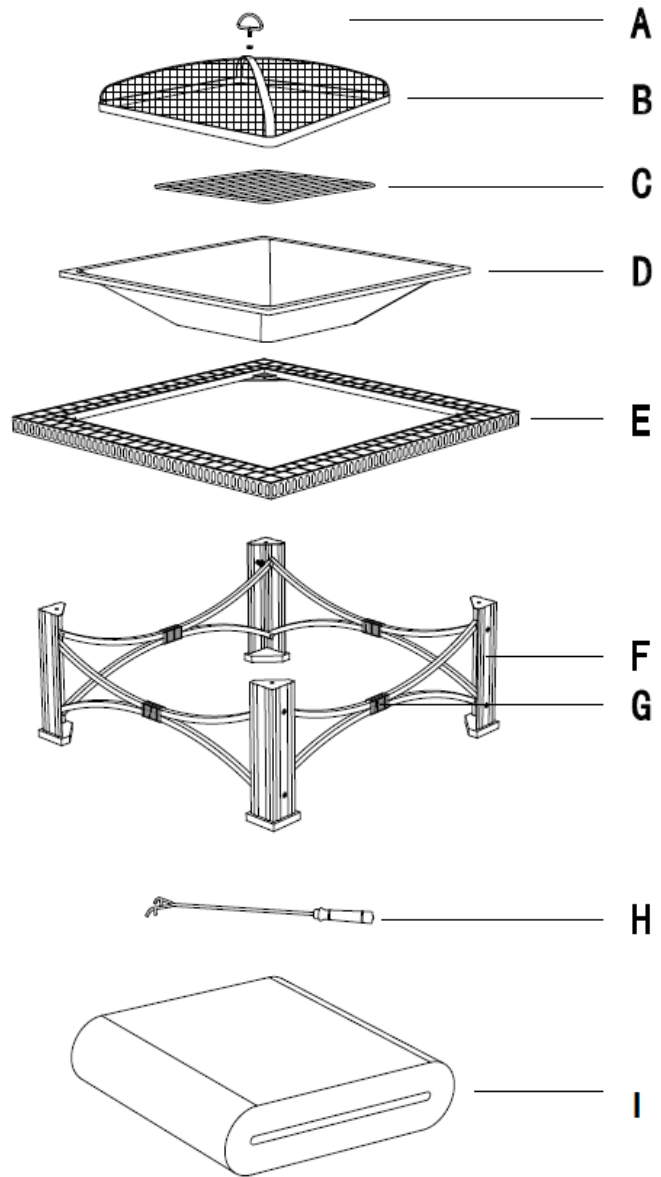
## **WARNINGS:**

- The metal may become very hot during and after use. Do not touch the metal or try to move the unit while hot.
- Keep children away from the unit while in use until the fire is extinguished and the metal has cooled.
- Do not use on a wooden surface, or on grass, near walls or flammable articles, or under overhead coverings. Keep at least 2 feet away from all other articles during use.
- This fire bowl is intended for outdoor use only. Do not use on wooden decks.
- This fire bowl is intended to burn wood logs only. Do not burn coal, leaves, or other combustible materials in the fire bowl.
- Do not overload the fire bowl with wood logs.
- Not for use by children. Keep children and pets away from the fire bowl.
- The fire bowl is hot. Use with caution. Do not touch the hot fire bowl with bare hands.
- Never leave the burning fire bowl unattended, and always extinguish the fire completely before leaving the fire bowl.
- Do not use near flammable or combustible objects or materials.
- When the fire bowl is in use, the handle on the mesh screen can reach extreme temperatures that can cause serious injury to an unprotected hand. Use a poker or an appropriate heat resistant glove or pad when handling.
- Check local fire regulations and municipal by-laws for safe use.
- Fuels used in wood or charcoal burning appliances, and the products of combustion of such fuels, contain chemicals known to the state of California to cause cancer and birth defects or other productive harm.

# OWNER'S MANUAL

## FIRE PIT PARTS LIST

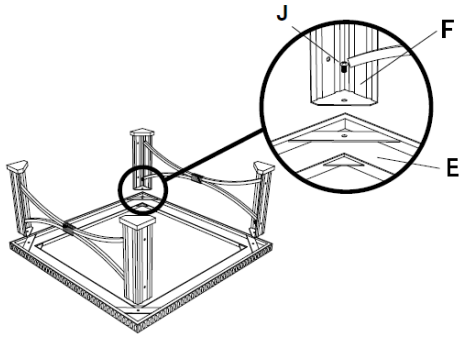
No.	PARTS	Qty
A	Lift Handle	1
B	Screen	1
C	Log Grate	1
D	Fire Bowl	1
E	Slate Top	1
F	Corner Posts with Side Panel	2
G	Side Panel	2
H	Poker	1
I	Cover	1



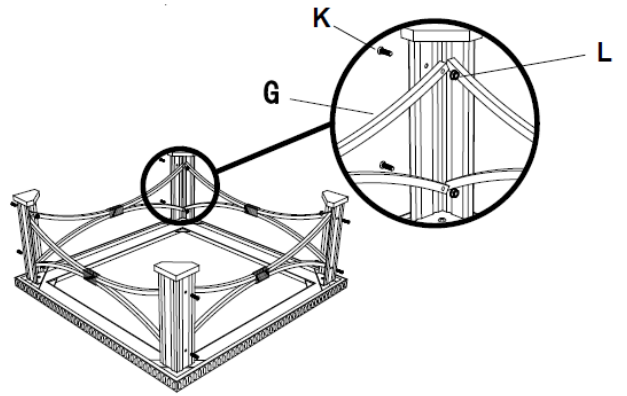
## HARDWARE LIST

NO.	PARTS	QTY
J	M6*12 Bolt	4
K	M6*18 Bolt	8
L	M6 Nut	9

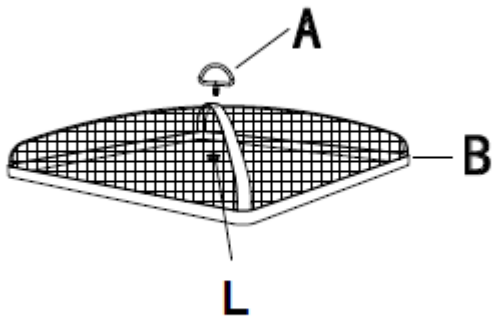
Tools required :Screw driver(not included)



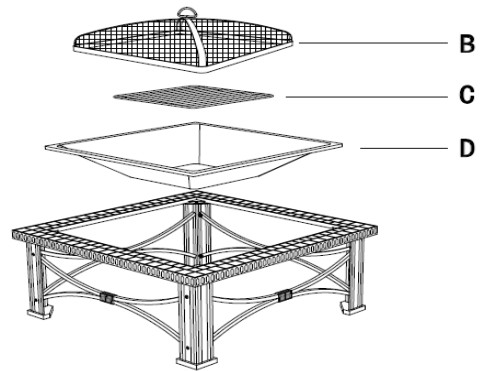
**FIG 1**



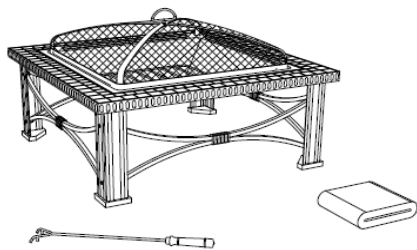
**FIG 2**



**FIG 3**



**FIG 4**



**FIG 5**

### Assembly Steps:

**Step 1:** Place Slate Top (E) upside down on a protected flat surface. Then attach one Corner Posts with Side Panel (F) to Slate Top (E) by using M6x12 Bolt (J) screw. **Hand tighten bolts, But do not fully tighten.** Repeat for another Corner Posts with Side Panel (F) . **(See FIG 1)**

**Step 2:** Attach one Side Panel (G) between two Corner Posts with Side Panel (F) by using 4 M6 x18 Bolts (K) and Nuts (L). **Hand tighten bolts, But do not fully tighten.** Repeat for another Side Panel (G). **(See FIG 2)**

**Step 3:** Check alignment and make any necessary adjustments. Tighten all bolts with screw driver.

**Step 4:** Assemble the Screen (B) by using Lift Handle (A) and M6 Nut (L). **(See FIG 3)**

**Step 5:** Turn the assembled table top to upright position, put Fire Bowl (D) onto the Slate Top (E) and place Log Grate(C) into Fire Bowl (D). **(See FIG 4),** Finally put the screen (B) on the fire bowl. **(See FIG 5),**

**Your fire pit is ready for use now. Once fire pit has cooled after use ,use cover to protect against rain and dust .**

## ONE-YEAR LIMITED WARRANTY

---

### CUSTOMERS IN USA

Do not return this product to the store where you purchased it. Please call **1-888-775-1330** for assistance.

### CUSTOMERS IN CANADA

Only return this product to the store if it was purchased within 90 days. If you have problems after 90 days of purchase, please CALL **1-888-775-1330**. DATED PROOF OF PURCHASE REQUIRED FOR WARRANTY SERVICE.

This product is inspected, tested and carefully packaged to minimize the chance of damage during shipment. If a part (excluding light bulbs and fuses\*) within one year from the date of purchase proves to be defective in material or fabrication under normal use, the part will be repaired or replaced. The Company's obligation under the warranty is to replace or repair defective parts at our discretion. Any expenses or damage resulting from the installation, removal or transportation of the product will be the responsibility of the owner and are not covered by this warranty. The owner assumes all other risks arising out from the use or misuse of the product. The warranty will be void if the product damage or failure is deemed by the Company to be caused by accident, alteration, misuse, abuse, incorrect installation or removal, or connection to an incorrect power source by the owner. The Company neither assumes, nor authorizes any person or entity to assume for it any obligation or liability associated with its products.

\* Light bulbs and fuses are not covered under this warranty.

If you have any questions regarding the warranty or service, please call our toll free number: **1-888-775-1330**, or email us at [warranty@azpatioheaters.com](mailto:warranty@azpatioheaters.com).

### **Distributed by:**

AZ Patio Heaters, LLC

Toll Free Number **1-888-775-1330**

Sales Service and Repair

[www.azpatioheaters.com](http://www.azpatioheaters.com)